

Specifications

Output Power HP (kW)	2 (1.5)
Phase	3 Phase
Pole	4 Pole
Frame Number	90L

Degrees of Protection	IP 55
Enclosure Construction	Totally-enclosed Fan-cooled
Thermal Class	Class F (155 °C)

Alignment	Horizontal
Frame Material	Steel plate

Power Transmission	Direct-couple or Belt Driven
Direction of Rotation	Counterclockwise (CCW) viewed from shaft-end side

Connection Type	Terminal Block (6 Leads)
Coating Colour	Munsell N5.5 (Gray)
Conformed Standard	IEC 60034-1 & JEC-2137-2000

Voltage & Frequency	LT Type
	220/380~415V 50Hz 220/440V 60Hz

\* The perpendicular variation of tolerance for the shaft center is  $\frac{0}{-0.5}$

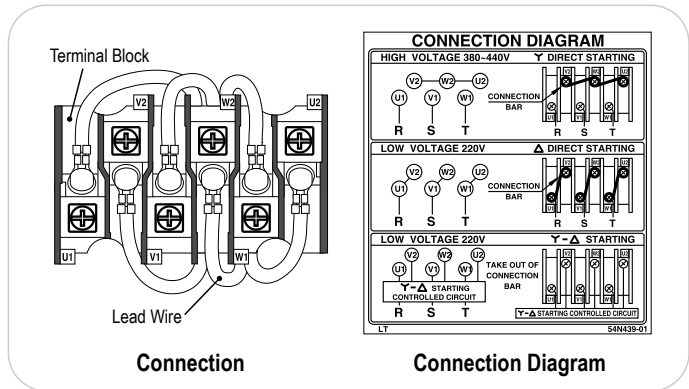
Dimensions (mm)

Motor														
A	B	C*	D	E	F	G	H	L	M	N	X	XB	Z	
143	117	90	183.6	70	62.5	4	186.3	311.5	175	150	15	56	9	

Terminal Box				Shaft End						
KA	KG	KD	KL	Q	QK	R	S	T	U	W
53	59	PF 3/4	158	50	40	168.5	24 j6	7	4	8

Bearing No.		Approximated Weight (kg)	Approximated Packing Dimensions (LxWxH)	Gross Weight (kg)
Drive End	Opposite			
6205ZZ	6204ZZ	19.5	368 x 280 x 226	20

Connection & Connection Diagram



Circumstance Conditions

Ambient Temperature	-20 ~ +40°C
Ambient Humidity	95% RH or less
Operating Altitude	Less than 1,000m above sea level
Environment	No bursting / erosive gas or vapor

Motor Characteristics

Type	Hz	V	50% Load			75% Load			100% Load				Torque(%)		Is (A)	Inertia GD <sup>2</sup> (kg-m <sup>2</sup> )	
			(A)	Eff(%)	PF(%)	(A)	Eff(%)	PF(%)	(A)	Eff(%)	PF(%)	Speed (r/min)	Torque (kg-m)	Ts			Tm
LT	50	220	3.90	0.79	0.64	4.66	0.84	0.76	5.64	0.85	0.82	1430	1.02	297	316	41.2	0.030
		380	2.25	0.79	0.64	2.69	0.84	0.76	3.26	0.85	0.82	1430	1.02	297	316	23.8	
		415	2.41	0.75	0.58	2.80	0.80	0.70	3.29	0.82	0.78	1440	1.01	359	378	26.0	
	60	220	3.64	0.76	0.71	4.55	0.80	0.81	5.40	0.85	0.86	1710	0.85	247	273	38.5	
		440	2.11	0.76	0.61	2.50	0.81	0.73	2.98	0.83	0.80	1730	0.84	332	367	25.7	